

Technical data sheet



Product features

Fry-top griddle plate electric smooth chrom

Model	SAP Code	00013928
--------------	-----------------	----------



- Top type: Smooth
- Griddle dimensions [mm x mm]: 650 x 480 + 320 x 380 + 320 x 380
- Griddle thickness [mm]: 10.00
- Container for liquid fat: Yes
- Independent heating zones: Separate control for each heating zone on the bottom plate and for the top plates
- Maximum device temperature [°C]: 300
- Surface finish: polished chrome 0.03 mm
- Removable rim: No

SAP Code	00013928	Power electric [kW]	12.000
Net Width [mm]	658	Loading	2x 230 V / 1N - 50 Hz + 400 V / 3N - 50 Hz
Net Depth [mm]	654	Griddle dimensions [mm x mm]	650 x 480 + 320 x 380 + 320 x 380
Net Height [mm]	406	Top type	Smooth
Net Weight [kg]	60.00		

Technical data sheet



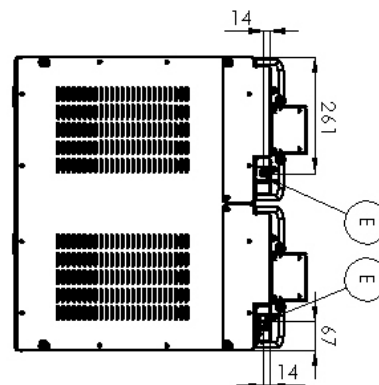
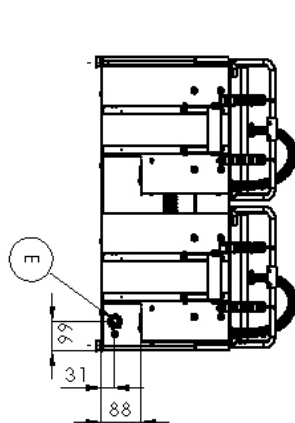
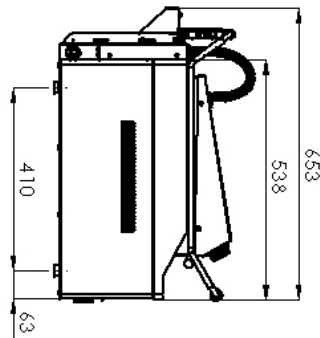
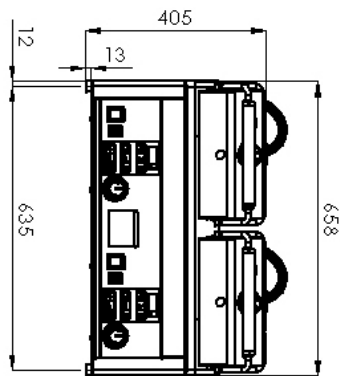
Technical drawing

Fry-top griddle plate electric smooth chrom

Model

SAP Code

00013928



Technical data sheet



Technical parameters

Fry-top griddle plate electric smooth chrom

Model

SAP Code

00013928

1. SAP Code:

00013928

2. Net Width [mm]:

658

3. Net Depth [mm]:

654

4. Net Height [mm]:

406

5. Net Weight [kg]:

60.00

6. Gross Width [mm]:

725

7. Gross depth [mm]:

710

8. Gross Height [mm]:

540

9. Gross Weight [kg]:

65.00

10. Device type:

Electric unit

11. Construction type of device:

Table top

12. Power electric [kW]:

12.000

13. Loading:

2x 230 V / 1N - 50 Hz + 400 V / 3N - 50 Hz

14. Protection of controls:

IPX4

15. Exterior color of the device:

Stainless steel

16. Material:

AISI 430

17. Indicators:

operation and warm-up

18. Surface finish:

polished chrome 0.03 mm

19. Maximum device temperature [°C]:

300

20. Minimum device temperature [°C]:

50

21. Griddle dimensions [mm x mm]:

650 x 480 + 320 x 380 + 320 x 380

22. Griddle thickness [mm]:

10.00

23. Container for liquid fat:

Yes

24. Independent heating zones:

Separate control for each heating zone on the bottom plate and for the top plates

25. Removable rim:

No

26. Uniform heating:

Yes

Technical data sheet

Technical parameters



Fry-top griddle plate electric smooth chrom

Model	SAP Code	00013928
-------	----------	----------

27. Top type:

Smooth

28. Cross-section of conductors CU [mm²]:

10

– Výkon (kW): 5,7-6,6 (230 V); 9,8-11 (400 V)